

Laundry room equipment

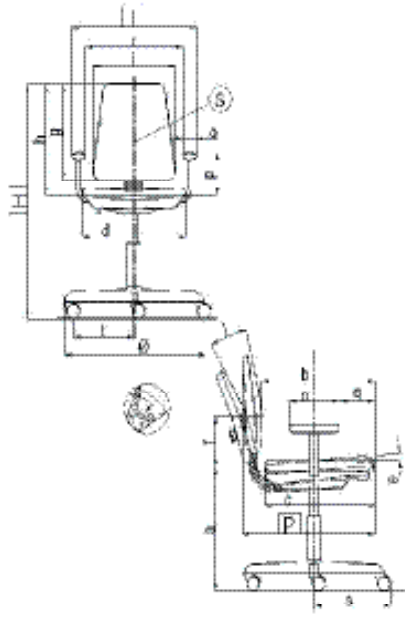


Product description

Our comprehensive range of laundry room equipment is designed to enhance efficiency, organization, and durability in professional laundry operations. From sturdy tables and ergonomic chairs to versatile racks, durable bags, and protective nets, every piece is crafted from high-quality materials to withstand daily use in demanding environments. Ideal for sorting, folding, storing, and transporting laundered items, this equipment ensures smooth workflows and maintains hygiene standards. Perfect for commercial laundries, hotels, and hospitals, our laundry room solutions combine practicality and reliability to meet the needs of any professional setup.

Chair

High task chair with wooden seat and backrest, highly resistant and easy to maintain. Height adjustment via shock absorbent gas lift over long trajectories. Height and depth adjustable backrest, comfortable backrest via flexible steel bar. Height adjustable footrest.



CHAIR - PNC 988914000

Parts		Dimensions in letters	Dimensions in mm
Seat height	Adjustment bracket	a	520 / 770 / 250
Seat depth	Non adjustable	b	-
	Adjustable		390 / 435
	Adjustment bracket		45
Depth of seat plate		c	398
Seat width		d	422
Angle of seat surface			-5°
Height of the most prominent «S» point on the backrest above the seat	Non adjustable		-
	Adjustable	f	168 / 228
	Adjustment bracket		60
Height of the adjustable backrest		g	280
Height to the top of the fixed backrest, above the seat		h	335 / 395
Backrest width		i	385
Horizontal curve of the backrest at its highest point		k	435
Base maximum height projection		s	348
Stability		t	230
Weight, kg			9
Overall Dimensions, H x L x P, mm			847x 455 x 527

Tables

Our tables are designed to provide a stable workspace for folding, sorting, or organizing laundered items. Easy to clean and maintain, these furniture pieces are perfect for laundries in all facilities. Functional, reliable, and built to last, they enhance productivity and organization in any laundry setting.



TABLE

PNC	Dimensions, W x D x H, mm	Weight, kg
988912218	850 x 700 x 1000	14
988912219	850 x 700 x 1500	19
988912220	850 x 700 x 2000	25



TABLEROLL

Rolling table with shelf 2000 x 800 mm

PNC	Dimensions upper surface, W x D x H, mm	Weight, kg
988912401	2000 x 800 x 916	41.8
	Dimensions lower surface, W x D, mm	
	1295 x 455	
	Space between lower and upper surface, mm	
	400	

Bins

Wall-mounted bin design keeps the bin securely in place, while the exposed bag underneath allows for quick and easy replacement and retrieval of bags.



GARBAGE

PNC	Dimensions, W x D x H, mm	Weight, kg
988912106	448 x 348 x 296	1

Bags

Our laundry bags and wash nets are designed to meet the demands of efficient and organized laundry. Built with high-quality materials, they are durable, practical, and versatile, catering to various laundry needs.

WASHBAG

Laundry bags are perfect for collecting, transporting, and storing soiled or clean laundry. Made from shrink-free polyester fabric they are lightweight yet durable enough to handle heavy loads. Featured a drawstring with fixed lock and duffel lock both inside and outside for secure containment. There is also bottom handle both inside and outside for easy carrying.

Washing advice: Can be washed at up to 90 degrees and should always be washed separately.



WASHBAG

PNC	Dimensions, H x W, mm	Color
988917404	1100 x 700	White
988917407	1100 x 700	Blue

WASHNET

Wash nets are designed to protect delicate items during washing, ensuring they remain intact and free from damage. Made from 100% polyester, these nets allow water and detergent to flow through while preventing snagging, stretching, or tangling of fabrics. Wash nets are reusable and easy to clean.

ATTENTION! To close the laundry net, a rubber lock needed, a red rubber lock is included.



WASHNET

PNC	Dimensions, H x W, mm
988917403	600 x 900



DRAIN.NET

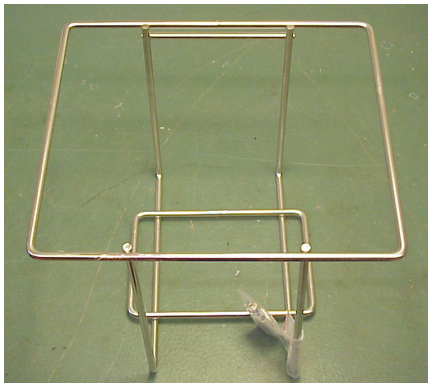
PNC
988702502

Racks

Our laundry racks, offer versatile and efficient storage solutions. Crafted from durable, high-quality metal, these racks are built to handle the demands of daily use while maintaining a sleek and functional appearance.

RACKWM

Wall mounted rack



RACKWM

PNC
988910712

Dimensions, H x W, mm
235 x 175 x 200

Weight, kg
1

HANGERG

Wall mounted hanger



HANGERG

PNC
988917500

Dimensions, H x W, mm
60 x 420

Weight, kg
1

Sheet stretcher

Our sheet stretcher is essential for efficiently stretching and smoothing large linens, such as sheets, after washing. Ideal for use in laundries they help streamline the linen finishing process by preventing damage and preserving the quality of fabrics. The ergonomic design allows for smooth operation, while its robust construction ensures long-lasting performance.

SHEETSTR

Wall-mounted sheet stretcher



SHEETSTR

PNC
988917000

Dimensions, H x W, mm
635 x 235 x 85

Weight, kg
3

SHEETSBASK

Basket for sheet stretcher



SHEETSBASK

PNC
988917010

Dimensions, H x W, mm

Weight, kg
1